



Synchronizing meters

Syncro 96DV

96x96 mm flush mounting housing
(double voltmeter)



Syncro 96DF

96x96 mm flush mounting housing
(double frequencymeter)



Syncro 96VD

96x96 mm flush mounting housing
(differential voltmeter)



Syncro 96FD

96x96 mm flush mounting housing
(differential frequencymeter)



Syncro 96L

96x96 mm flush mounting housing
(Led synchroscope)



Syncro 96C

96x96 mm flush mounting housing
(Led synchroscope with contact)



Syncro 96Z

96x96 mm flush mounting housing
(nullvoltmeter)





Model	Syncro 96DF		Syncro 96DV					
Codes	ANRDF...		ANRDV...					
Ordering codes see page:	05		05					
Type	double frequencymeter		double voltmeter					
Input voltage	100 - 115V 230 - 240V 400 - 440V		100V (100%) 110V (100%)	300V direct	400/100V 400/110V 500V direct	440/100V 440/110V 600V direct	690/100V	.../100V .../110V
Frequency	50Hz	60Hz	50 - 60Hz					
Scale	45...55Hz	55...65Hz	0...120%	0...300V	0...500V	0...600V	0...900V	on request
Accuracy class	0,5		1,5					
Front housing protection	IP52		IP52					
Terminal protection	IP00		IP00					
Dimensions	96x96x124 mm		96x96x124 mm					
Price								
Extra price for IP54 front housing protection	•		•					



Model	Syncro 96FD	Syncro 96VD
Codes	ANRFD...	ANRVD...
Ordering codes see page:	05	06
Type	differential frequencymeter	differential voltmeter
Input voltage	100V 110 - 115V	100V 110V
Frequency	50 - 60Hz	50 - 60Hz
Scale	20...0...20ΔHz%	20...0...20ΔVn%
Accuracy class	1	1
Front housing protection	IP52	IP52
Terminal protection	IP20*	IP20*
Dimensions	96x96x84 mm	96x96x84 mm
Price		
Extra price for IP54 front housing protection	•	•

* with terminal covers



Synchronizing meters



Model	Syncro 96C		Syncro 96L	Syncro 96Z
Codes	ANTJ...		ANRJ...	ANRG...
Ordering codes see page:	06		05	05
Type	LED synchroscope with contact		LED synchroscope	nullvoltmeter
Input voltage	30...150V	110...600V	100 - 115V 230 - 240V 400 - 440V	100V
Frequency	35...80Hz		50 - 60Hz	50 - 60Hz
A.C. auxiliary supply	100V	400V		
Synchronizing analogue indication	19 red LED on 360°		16 red LED on 360°	scale 0...50V
Digital indication	Red LED display for phase-angle, line/generator voltage, voltage difference, line/generator frequency, frequency difference display			
Synchronizing relay output	1 SPDT contact			
Front housing protection	IP54		IP52	IP52
Terminal protection	IP20		IP20*	IP20*
Dimensions	96x96x87,5 mm		96x96x105 mm	96x96x69 mm
Technical note	NT595			
Price				
Extra price for IP54 front housing protection			•	•

* with terminal covers

ACCESSORY		
code	description	
AV960	frame for 3 single Syncro 96 indicators assembling (available composition Syncro 96DV or Syncro 96VD + Syncro 96C or Syncro 96L or Syncro 96Z + Syncro 96DF or Syncro 96FD)	

Syncro 96DF Double frequencymeter

96x96mm

Ordering code	Scale	Voltage	Stock
ANRDF11	45...55Hz	100 + 115V	•
ANRDF13	45...55Hz	230 + 240V	
ANRDF14	45...55Hz	400 + 440V	•
ANRDF31	55...65Hz	100 + 115V	
ANRDF33	55...65Hz	230 + 240V	
ANRDF34	55...65Hz	400 + 440V	

Other executions

Ordering code	front protection
ANRDF... 3	IP54

Syncro 96DV Double voltmeter

96x96mm

Ordering code	Scale	Voltage	Frequency	Stock	Data to be shown in addition to ordering code
ANRDV11	0...120%	100%=100V	50 + 60Hz	•	
ANRDV12	0...120%	100%=110V	50 + 60Hz		
ANRDV23	0...500V	500V	50 + 60Hz		
ANRDV24	0...500V	400/100V	50 + 60Hz	•	
ANRDV25	0...500V	400/110V	50 + 60Hz		
ANRDV33	0...600V	600V	50 + 60Hz		
ANRDV34	0...600V	440/100V	50 + 60Hz		
ANRDV35	0...600V	440/110V	50 + 60Hz		
ANRDV48	0...900V	690/100V	50 + 60Hz		
ANRDV53	0...300V	300V	50 + 60Hz		
ANRDVPP	On request	On request	50 + 60Hz		scale and VT ratio

Other executions

Ordering code	front protection
ANRDV... 3	IP54

Syncro 96FD Differential frequencymeter

96x96mm

Ordering code	Scale	Voltage	Frequency	Stock
ANRFD11	20...0...20ΔHz%	100V	50Hz	
ANRFD12	20...0...20ΔHz%	110 + 115V	50Hz	
ANRFD31	20...0...20ΔHz%	100V	60Hz	
ANRFD32	20...0...20ΔHz%	110 + 115V	60Hz	

Other executions

Ordering code	front protection
ANRFD... 3	IP54

Syncro 96Z Nullvoltmeter

96x96mm

Ordering code	Scale	Voltage	Frequency	Stock
ANRG1	0...50V	100V	50 + 60Hz	•

Other executions

Ordering code	front protection
ANRG1... 3	IP54

Syncro 96L LED synchroscope

96x96mm

Ordering code	Scale	Voltage	Frequency	Stock
ANRJ1	-	100 + 115V	50 + 60Hz	•
ANRJ2	-	230 + 240V	50 + 60Hz	
ANRJ3	-	400 + 440V	50 + 60Hz	•

Other executions

Ordering code	front protection
ANRJ... 3	IP54

Syncro 96VD Differential voltmeter

96x96mm

Ordering code	Scale	Voltage	Frequency	Stock
ANRVD 1	20...0...20ΔVn%	100V	50 + 60Hz	
ANRVD 2	20...0...20ΔVn%	110V	50 + 60Hz	



Other executions

ANRVD...	front protection
3	IP54

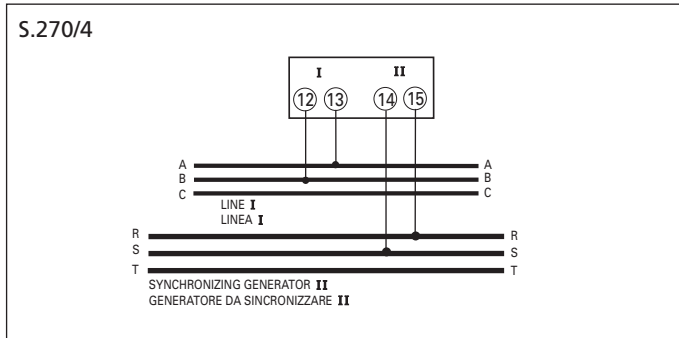
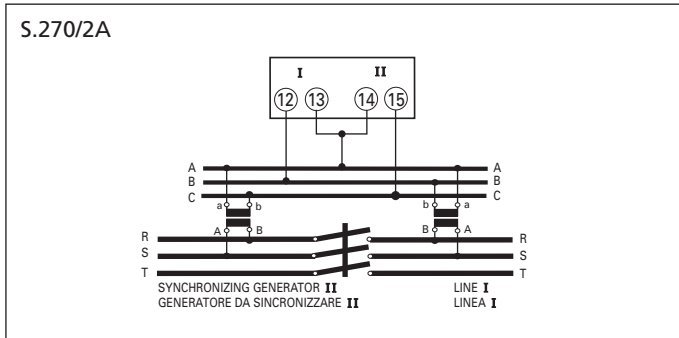
Syncro 96C LED synchroscope with contact

96x96mm

Ordering code	Auxiliary supply	Voltage	Frequency	Stock
ANTJ 2 1	100Va.c.	30...150V	35...80Hz	•
ANTJ 3 0	400Va.c.	110...600V	35...80Hz	•

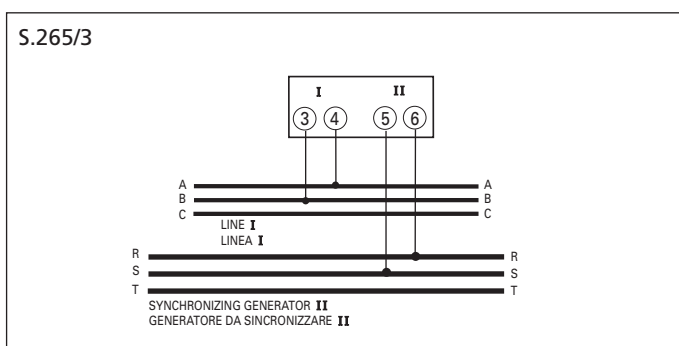
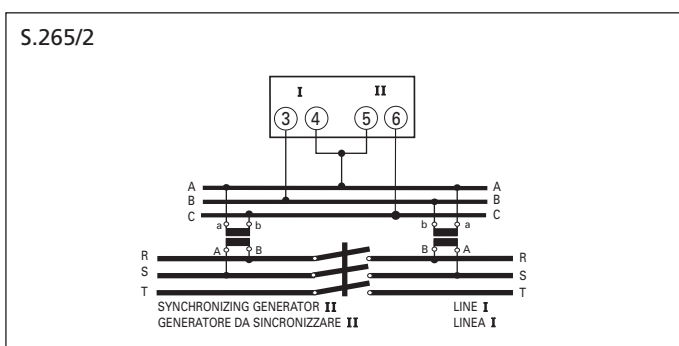
Syncro 96DF

ANRDF...



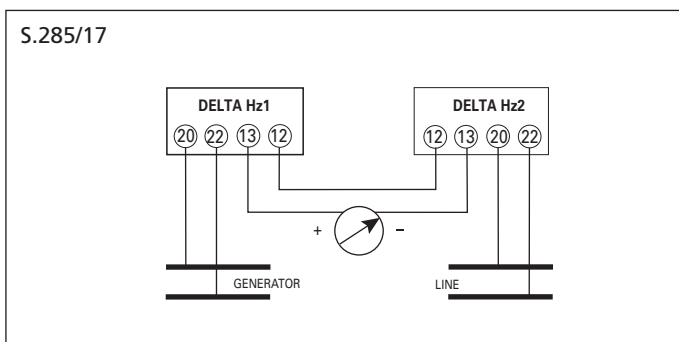
Syncro 96DV

ANRDV...



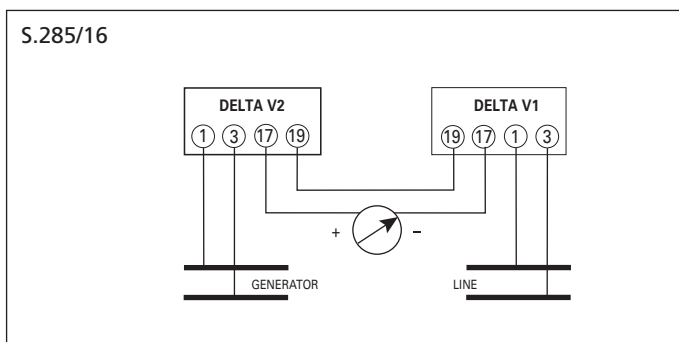
Syncro 96FD

ANRFD...



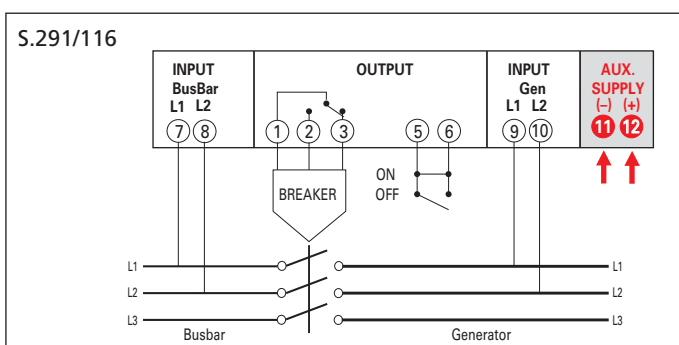
Syncro 96VD

ANRVD...



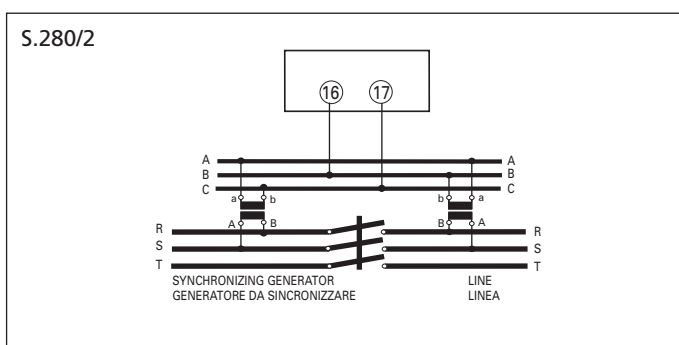
Syncro 96C

ANTJ...



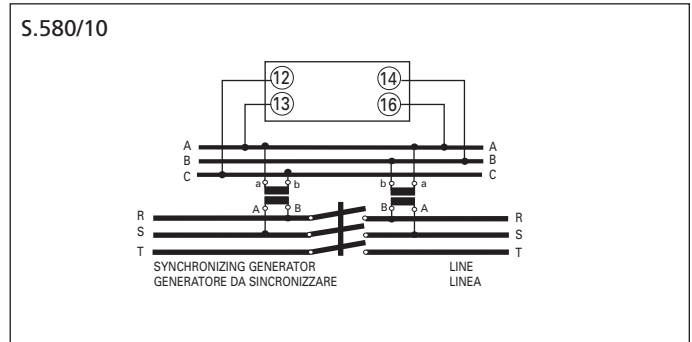
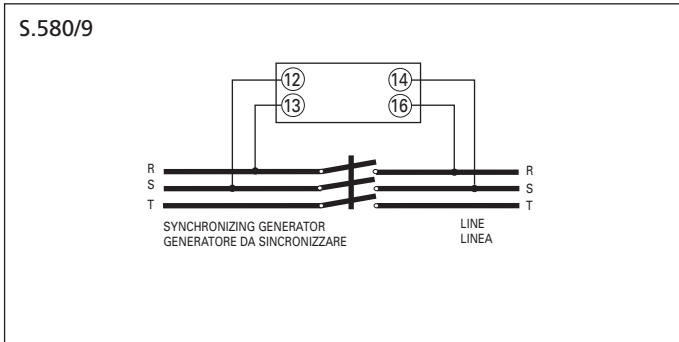
Syncro 96Z

ANRG...



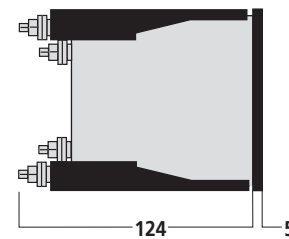
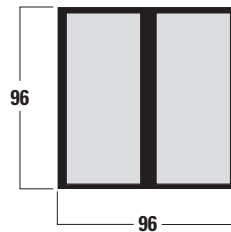
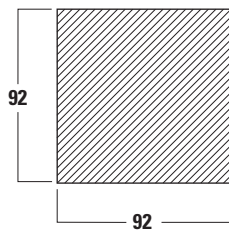
Sincro 96L

ANRJ...

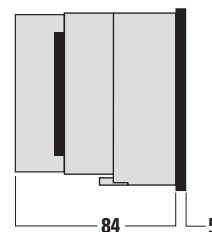
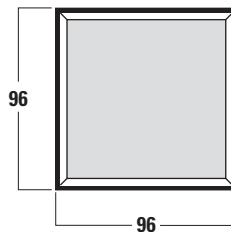
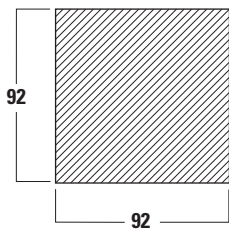


OVERALL DIMENSIONS

Sincro 96DF / Sincro 96DV

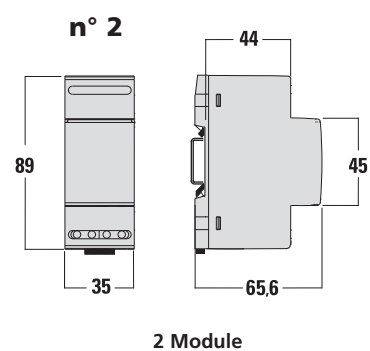
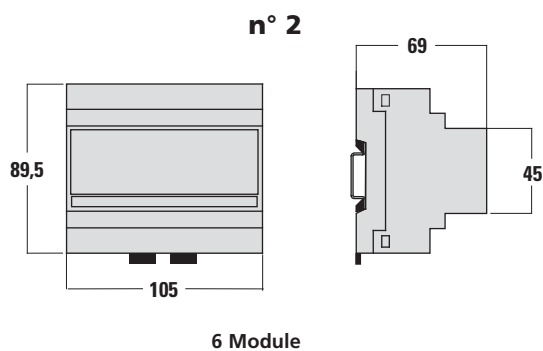


Sincro 96FD / Sincro 96VD

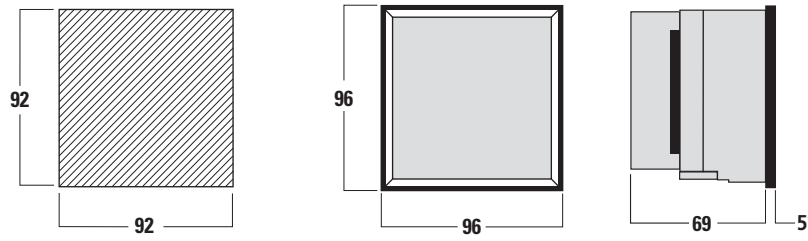


Accessories for Sincro 96FD

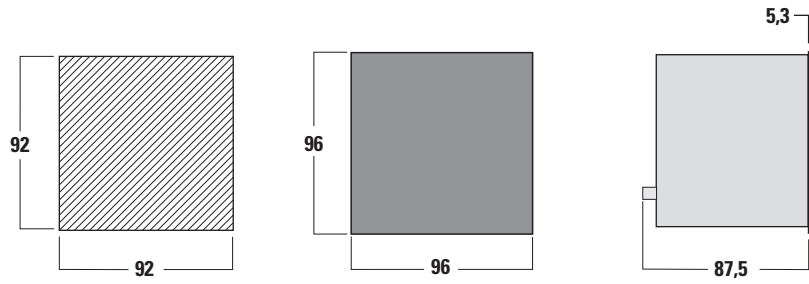
Accessories for Sincro 96VD



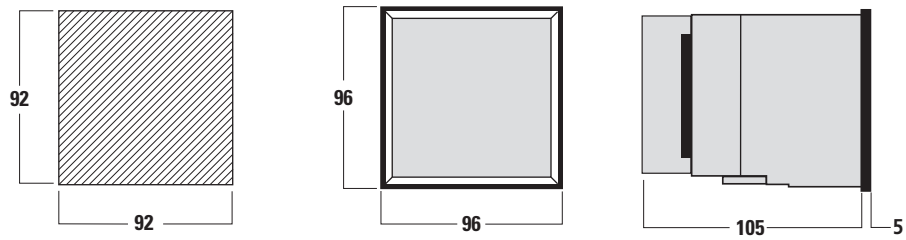
Syncro 96Z



Syncro 96C



Syncro 96L



Frame for synchronizing group

