



RM2I

2 module housing (single-phase alternating current)



RM2U

2 module housing (single-phase alternating current)



RM3I

Rail DIN housing (three-phase alternating current)



RM3U

Rail DIN housing (three-phase alternating current)



RM2S

2 module housing (sequence and phase-failure/asymmetry voltages)



RM3C

Rail DIN housing (direct current/voltage)





Model	RM2I	RM2U
Codes	RM2I...	RM2U...
Ordering codes see page:	05	05
Controlled quantity	single-phase alternating current	single-phase alternating voltage
Rated input	1 - 5A 50 - 60Hz	100 - 250 - 400V 50 - 60Hz
Alarm type	1 min. or 1 max.	1 min. or 1 max.
Alarm threshold adjusting range	10...120%In	10...120%Un
Intervention adjusting range	0,1...10s	0,1...10s
Inhibition when turning on adjusting range	0 - 3 - 6 - 9s	0 - 3 - 6 - 9s
Hysteresis adjusting range	5...50% of threshold value	5...50% of threshold value
Reset	automatic or manual	automatic or manual
Relay output	1 SPDT contact	1 SPDT contact
Relay status	field-selectable positive/negative	field-selectable positive/negative
A.C. auxiliary supply	48 - 115 - 230 - 240Va.c.	48 - 115 - 230 - 240Va.c.
D.C. auxiliary supply	20...150 - 150...250Vd.c.	20...150 - 150...250Vd.c.
Dimensions	2 module DIN	2 module DIN
Technical note	NT548	NT549
Price		
Extra price d.c. auxiliary supply and 48Va.c.	•	•



Alternating current and voltage relay



Model	RM3I	RM3U
Codes	RM3I...	RM3U...
Ordering codes see page:	05	05
Controlled quantity	three-phase alternating current	three-phase alternating voltage
Rated input	5A 50 + 60Hz	100 - 400V 50 + 60Hz
Alarm type	1 max. + 1 max. or min. phase failure	1 min. + 1 max. sequence and phase failure
Alarm threshold adjusting range	15...100%In	-20%Un...Un...+20%Un
Intervention adjusting range	1...30s - instantaneous	0,5...31,5s
Inhibition when turning on adjusting range	1...60s	
Reset	automatic - manual	automatic
Relay output	2 relays with SPDT contact	1 relay with 2 SPDT contact
Relay status	positive security	positive security
A.C. auxiliary supply	230Va.c.	self-supplied
D.C. auxiliary supply	24Vd.c.	
Dimensions	DIN rail 100x75x110mm	DIN rail 70x75x110mm
Technical note	NT631	NT632
Price		
Extra price d.c. auxiliary supply	•	



Model	RM2S
Codes	RM2S41
Ordering codes see page:	05
Controlled quantity	three-phase alternating voltage
Rated input	380...415V 50 - 60Hz
Alarm type	phase sequence - phase failure - phase asymmetry
Asymmetry threshold adjusting range	5...25%
Intervention adjusting range	0,2...10s
Reset	automatic
Relay output	1 SPDT contact
Relay status	positive security
Auxiliary supply	self-supplied
Dimensions	2 module DIN
Technical note	NT639
Price	



Direct current and voltage relay



Model	RM3C
Codes	RM3C...
Ordering codes see page:	05
Controlled quantity	direct current/voltage
Selectable rated input	$\pm 0,5 \dots \pm 2\text{mA}$ - $\pm 5 \dots \pm 20\text{mA}$ - $4 \dots 20\text{mA}$ $\pm 50 \dots \pm 200\text{mV}$ - $\pm 5 \dots \pm 20\text{V}$ - $\pm 50 \dots \pm 200\text{V}$
Display	any quantity directly proportional to input 2000-point red LED display, max. indication - 1999....1999
Alarm type	2 min. and/or max.
Alarm threshold adjusting range	-1999...1999 digit
Intervention adjusting range	0...60s
Hysteresis adjusting range	-1999...1999 digit
Reset	automatic
Relay output	2 relays with SPDT contact
Relay status	positive/negative security
A.C. auxiliary supply	24 - 48 - 100 - 115 - 230 - 240Va.c.
D.C. auxiliary supply	20...150 - 150...250Vd.c.
Dimensions	DIN rail 100x75x110mm
Technical note	NT633
Price	
Extra price 24Va.c. auxiliary supply	•
Extra price d.c. auxiliary supply and 48Va.c.	•

RM2I**Single-phase alternating current relay, 1 alarm****2 module**

Ordering code	Auxiliary supply	Input	Stock
RM2IM112	115Va.c.	1A	
RM2IM113	230Va.c.	1A	
RM2IM114	240Va.c.	1A	
RM2IM11H	20...150Vd.c. + 48Va.c.	1A	
RM2IM11L	150...250Vd.c.	1A	
RM2IM152	115Va.c.	5A	•
RM2IM153	230Va.c.	5A	•
RM2IM154	240Va.c.	5A	
RM2IM15H	20...150Vd.c. + 48Va.c.	5A	
RM2IM15L	150...250Vd.c.	5A	

RM2S**Failure/sequence/asymmetry alternating voltage relay****2 module**

Ordering code	Auxiliary supply	Input	Stock
RM2S41	Self-supplied	380...415V 50-60Hz	•

RM2U**Single-phase alternating voltage relay, 1 alarm****2 module**

Ordering code	Auxiliary supply	Input	Stock
RM2UM1A2	115Va.c.	100V	
RM2UM1A3	230Va.c.	100V	•
RM2UM1A4	240Va.c.	100V	
RM2UM1AH	20...150Vd.c. + 48Va.c.	100V	•
RM2UM1AL	150...250Vd.c.	100V	
RM2UM1F2	115Va.c.	250V	
RM2UM1F3	230Va.c.	250V	•
RM2UM1F4	240Va.c.	250V	
RM2UM1FH	20...150Vd.c. + 48Va.c.	250V	
RM2UM1FL	150...250Vd.c.	250V	
RM2UM1K2	115Va.c.	400V	
RM2UM1K3	230Va.c.	400V	
RM2UM1K4	240Va.c.	400V	
RM2UM1KH	20...150Vd.c. + 48Va.c.	400V	
RM2UM1KL	150...250Vd.c.	400V	

RM3C**Direct voltage/current relay, 2 alarms**

Ordering code	Auxiliary supply	Input	Stock
RM3C211	24Va.c.	2mA / 20mA / 4...20mA / 200mV / 20V / 200V	
RM3C213	115Va.c.	2mA / 20mA / 4...20mA / 200mV / 20V / 200V	•
RM3C216	230Va.c.	2mA / 20mA / 4...20mA / 200mV / 20V / 200V	•
RM3C217	240Va.c.	2mA / 20mA / 4...20mA / 200mV / 20V / 200V	
RM3C21H	20...150Vd.c. + 48Va.c.	2mA / 20mA / 4...20mA / 200mV / 20V / 200V	•
RM3C21L	150...250Vd.c.	2mA / 20mA / 4...20mA / 200mV / 20V / 200V	

RM3I**Three-phase alternating current relay, 2 alarms**

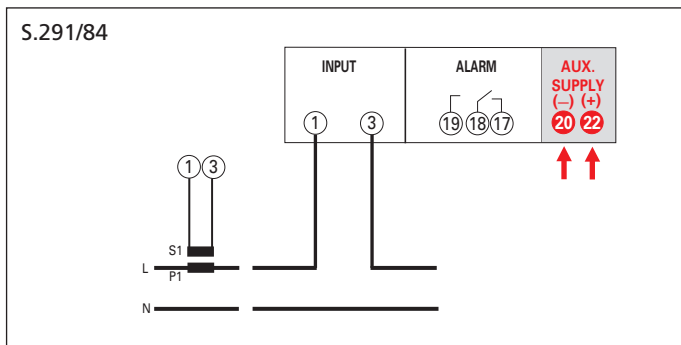
Ordering code	Auxiliary supply	Input	Stock
RM3IT253	230Va.c.	5A	•
RM3IT25F	24Vd.c.	5A	•

RM3U**Three-phase alternating voltage relay, 2 alarms**

Ordering code	Auxiliary supply	Input	Stock
RM3UT3AA	Self-supplied	100V	•
RM3UT3KA	Self-supplied	400V	•

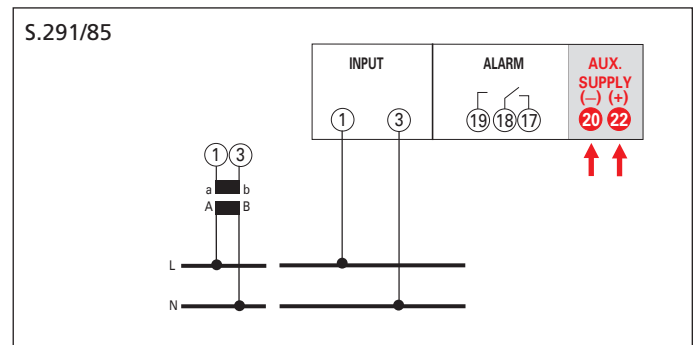
RM2I

RM2I...



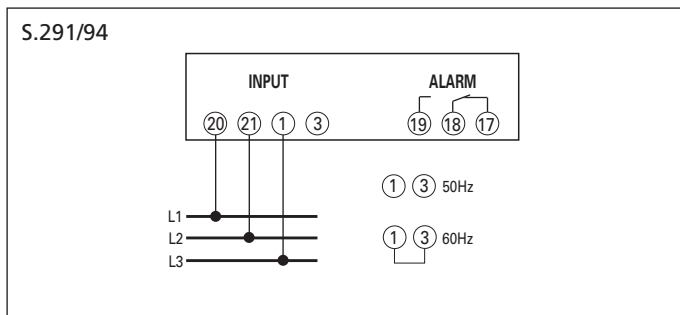
RM2U

RM2U...



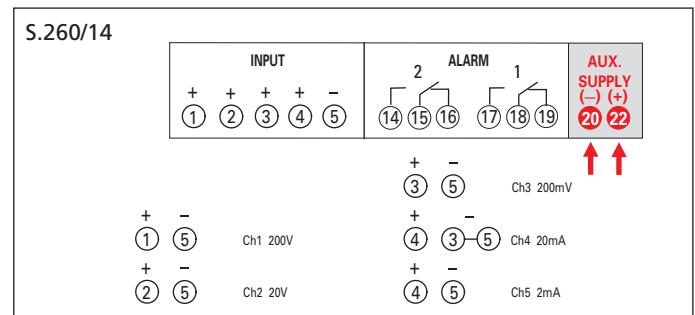
RM2S

RM2S...



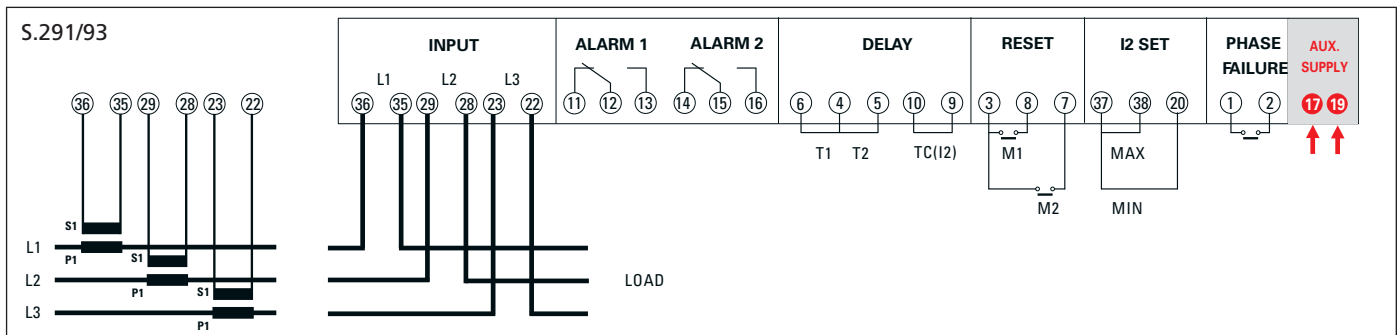
RM3C

RM3C...



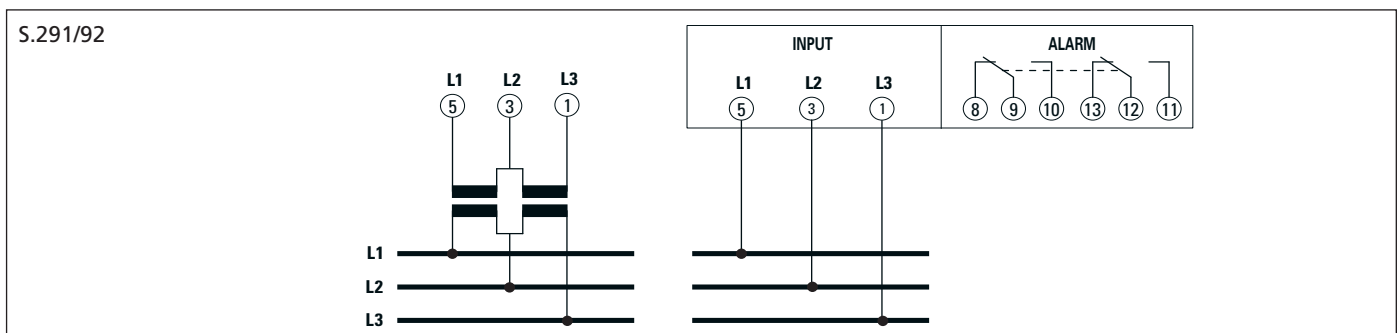
RM3I

RM3I...

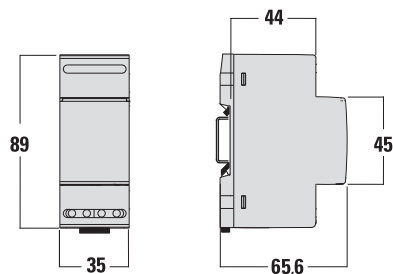


RM3U

RM3U...

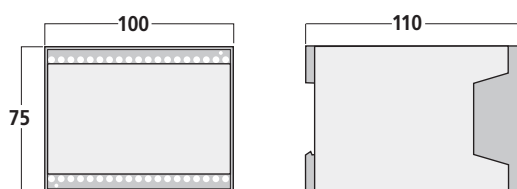


RM2I... / RM2U... / RM2S...



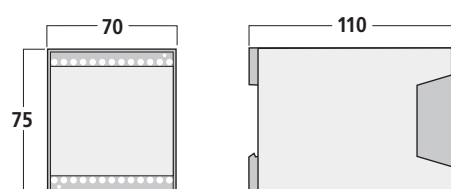
2 Module

RM3I... / RM3C...



DIN Rail

RM3U...



DIN Rail