



Static energy meters

Conto D2
2 module housing



Conto D4
4 module housing



Conto 72
72x72 mm flush mounting housing



Conto 96
96x96 mm flush mounting housing





Model	Conto D2-b	Conto D2			
Codes	CE21175A0	CE20175A0	CE20175A2	CE20185A0	CE20185A2
Ordering codes see page:	05	05	05	05	05
Connection on line	single-phase	single-phase			
Measuring	active energy	partial and total active energy active power current voltage			
Accuracy active energy	class 1 (EN62053-21)	class 1 (EN62053-21)			
Counter	LCD 6 digit	LCD 6 digit			
Direct ammetric connection	10(36)A	10(36)A		10(63)A	
Direct voltmetric connection	230 - 240V	230 - 240V			
Frequency	50 - 60Hz	50 - 60Hz			
Auxiliary supply	selfsupplied	selfsupplied			
Pulse output	-	-	1imp/10Wh	-	1imp/10Wh
Dimensions	2 module DIN	2 module DIN			
Technical note	NT660	NT603			
Price					



Model	Conto D4-Pt		Conto D4-Pd	
Codes	CE4DT1...		CE4DT06...	
Ordering codes see page:	05		05	
Connection on line	single-phase, 3 -phase 3-4 wires, unbalanced load		single-phase, 3 -phase 3-4 wires, unbalanced load	
Measuring	partial and total active energy partial and total reactive energy power demand power max demand		partial and total active energy or double tariff ¹ partial and total reactive energy or double tariff ¹ power demand power max demand	
Accuracy active energy	class 1 (EN62053-21)		class 1 (EN62053-21)	
Accuracy reactive energy	class 2 (EN62053-23)		class 2 (EN62053-23)	
Counter	LCD 8 digit		LCD 8 digit	
Direct ammetric connection	-		10(63)A	
C.T. ammetric connection	/1A - /5A programmable ratios		-	
Programmable C.T. ratio	1...9999		-	
Direct voltmetric connection	190...440V (phase-phase)		190...440V (phase-phase)	
V.T. voltmetric connection	80...150V (phase-phase) programmable ratios		-	
Programmable V.T. ratio	1...999		-	
Frequency	50 - 60Hz		50 - 60Hz	
Auxiliary supply	selfsupplied		selfsupplied	
Pulse output	•	•	•	•
RS485 output		•		•
Dimensions	4 module DIN		4 module DIN	
Sealable housing	•		•	
Technical note	NT672		NT669	
Price				

¹Total and partial energy or double tariff energy are alternatively selected during the programming



Static energy meters



Model	Conto 72-Pt	Conto 96-Pt
Codes	CE72T...	CE96T...
Ordering codes see page:	05	05
Connection on line	single-phase, 3 -phase 3-4 wires, unbalanced load	single-phase, 3 -phase 3-4 wires, unbalanced load
Measuring	partial and total active energy partial and total reactive energy power demand power max demand	partial and total active energy partial and total reactive energy power demand power max demand
Accuracy active energy	class 1 (EN62053-21)	class 1 (EN62053-21)
Accuracy reactive energy	class 2 (EN62053-23)	class 2 (EN62053-23)
Counter	LCD 8 digit	LCD 8 digit
C.T. ammetric connection	/1A - /5A programmable ratios	/1A - /5A programmable ratios
Programmable C.T. ratio	1...9999	1...9999
Direct voltmetric connection	190...440V (phase-phase)	190...440V (phase-phase)
V.T. voltmetric connection	80...150V (phase-phase) programmable ratios	80...150V (phase-phase) programmable ratios
Programmable V.T. ratio	1...999	1...999
Frequency	50 - 60Hz	50 - 60Hz
Auxiliary supply	selfsupplied	selfsupplied
Pulse output	•	•
RS485 output	•	•
Dimensions	72x72x70mm	96x96x92mm
Technical note	NT697	NT698
Price		

Conto D2-b Single-phase watt-hour meter 2 module

Ordering code	Input V	Input A	Output	Stock
CE21175A0	230 + 240V	10(36)A	-	•

Conto D2 Single-phase watt-hour meter 2 module

Ordering code	Input V	Input A	Output	Stock
CE20175A0	230 + 240V	10(36)A	-	•
CE20185A0	230 + 240V	10(63)A	-	•
CE20175A2	230 + 240V	10(36)A	Pulse	•
CE20185A2	230 + 240V	10(63)A	Pulse	•

Conto D4-Pt Single-phase / 3-phase watt and var-hour meter 4 module

Ordering code	Input V	Input A	Output	Stock
CE4DT14A2	190...440V (Phase-Phase)	1 + 5A	Pulse	•
CE4DT12A2	80...150V (Phase-Phase)	1 + 5A	Pulse	•
CE4DT14A4	190...440V (Phase-Phase)	1 + 5A	RS485	•
CE4DT12A4	80...150V (Phase-Phase)	1 + 5A	RS485	•
CE4DT14A6	190...440V (Phase-Phase)	1 + 5A	Pulse + RS485	•
CE4DT12A6	80...150V (Phase-Phase)	1 + 5A	Pulse + RS485	•

Conto D4-Pd Single-phase / 3-phase watt and var-hour meter 4 module

Ordering code	Input V	Input A	Output	Stock
CE4DT06A2	190...440V (Phase-Phase)	10(63)A	Pulse	•
CE4DT06A4	190...440V (Phase-Phase)	10(63)A	RS485	•

Conto 72-Pt Single-phase / 3-phase watt and var-hour meter 72x72mm

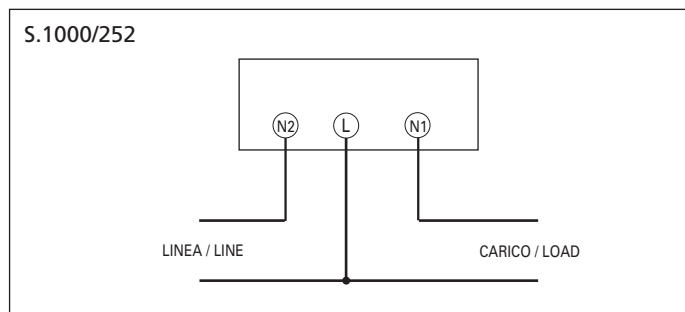
Ordering code	Input V	Input A	Output	Stock
CE72T14A2	190...440V (Phase-Phase)	1 + 5A	Pulse	•
CE72T12A2	80...150V (Phase-Phase)	1 + 5A	Pulse	•
CE72T14A4	190...440V (Phase-Phase)	1 + 5A	RS485	•
CE72T12A4	80...150V (Phase-Phase)	1 + 5A	RS485	•

Conto 96-Pt Single-phase / 3-phase watt and var-hour meter 96x96mm

Ordering code	Input V	Input A	Output	Stock
CE96T14A2	190...440V (Phase-Phase)	1 + 5A	Pulse	•
CE96T12A2	80...150V (Phase-Phase)	1 + 5A	Pulse	•
CE96T14A4	190...440V (Phase-Phase)	1 + 5A	RS485	•
CE96T12A4	80...150V (Phase-Phase)	1 + 5A	RS485	•

Conto D2-b

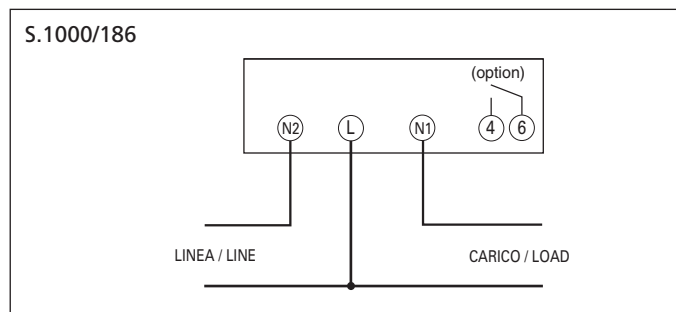
CE21175A0



Single-phase line

Conto D2

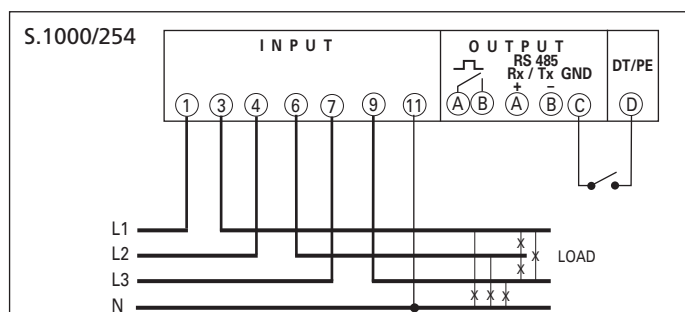
CE2017... / CE2018...



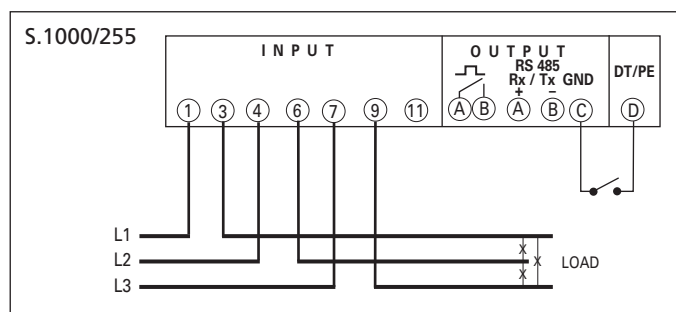
Single-phase line

Conto D4-Pd

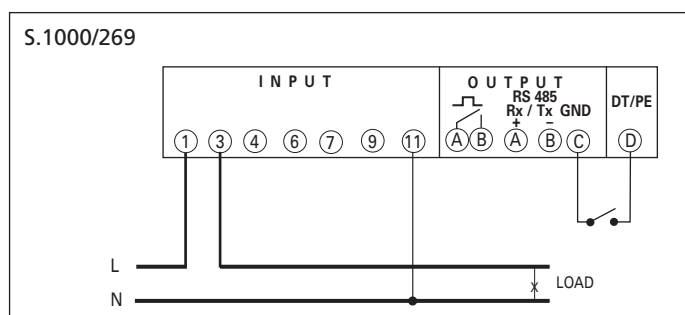
CE4DT06A.



4 wire three-phase line, unbalanced load



3 wire three-phase line, unbalanced load



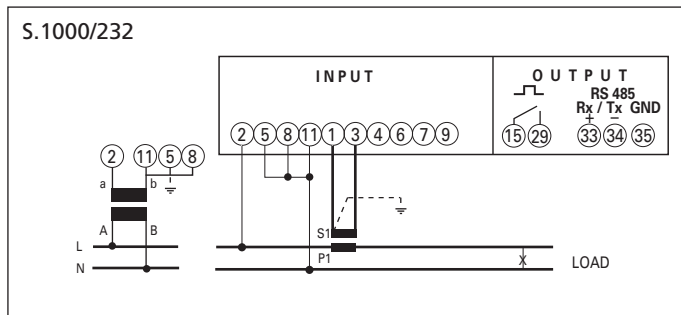
Single-phase line

Attention!

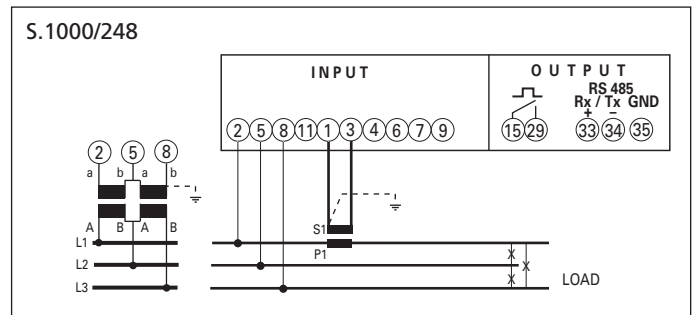
The wiring diagrams, show the device complete with pulse output and RS485 interface.
In case of version without of these features, the corresponding terminals must not be considered.

Conto D4-Pt / Conto 72-Pt / Conto 96-Pt

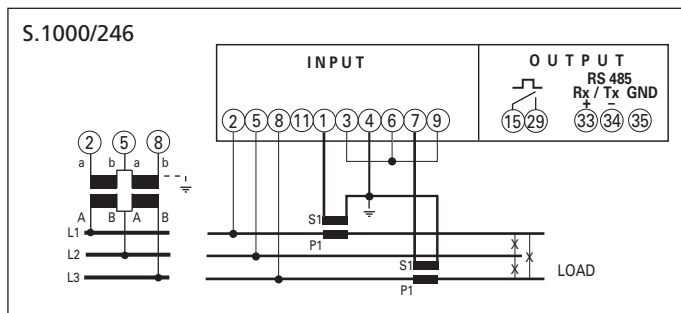
CE4DT1... / CE72T.. / CE96T..



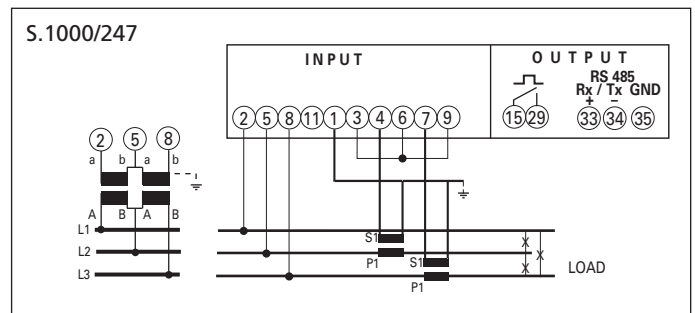
Single-phase line



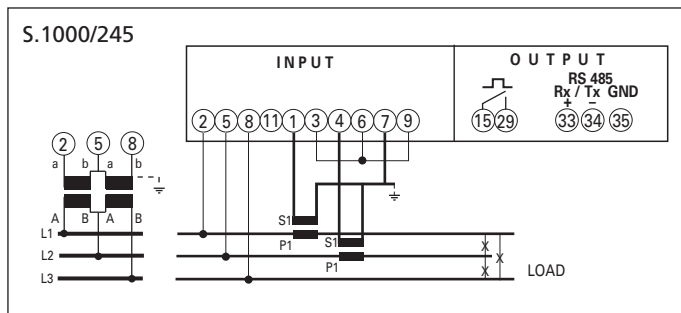
3 wire three-phase line, unbalanced load



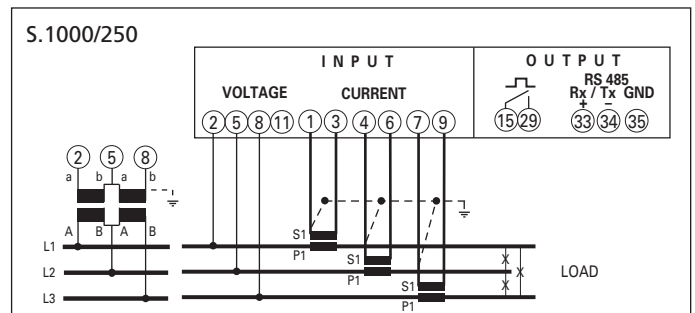
3 wire three-phase line, unbalanced load (ARON L1-L3)



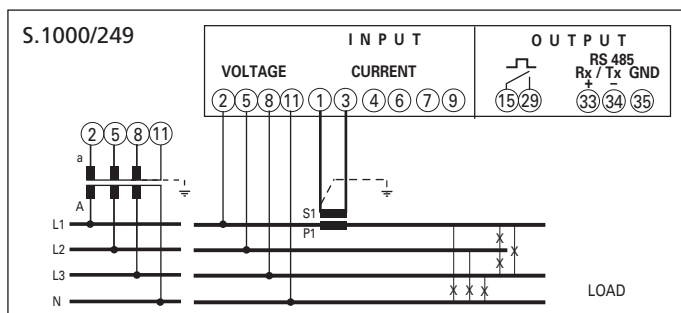
3 wire three-phase line, unbalanced load (ARON L2-L3)



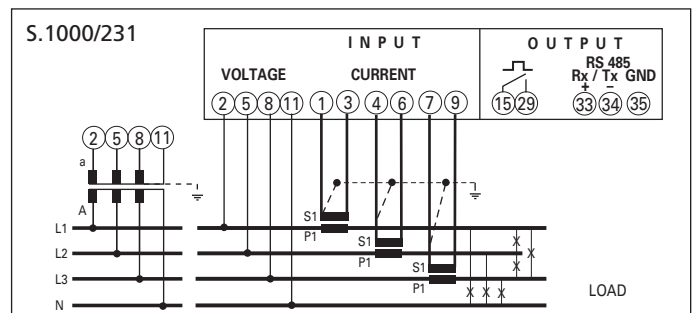
3 wire three-phase line, unbalanced load (ARON L1-L2)



3 wire three-phase line, unbalanced load



4 wire three-phase line, unbalanced load

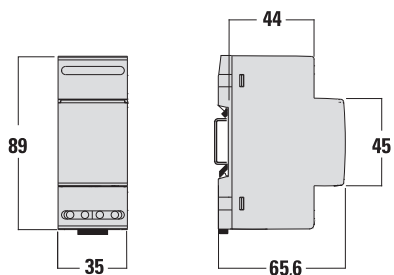


4 wire three-phase line, unbalanced load

Attention!

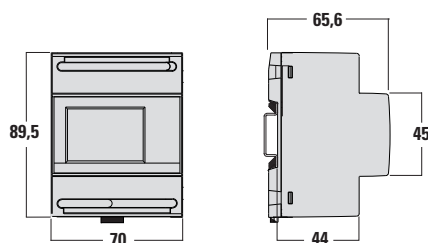
The wiring diagrams, show the device complete with pulse output and RS485 interface.
In case of version without of these features, the corresponding terminals must not be considered.

Conto D2 / D2-b



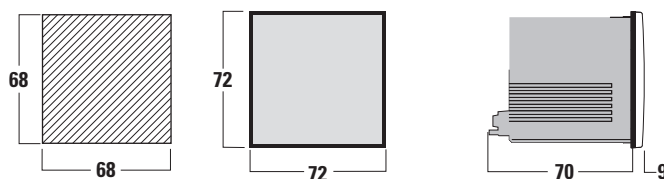
2 Module

Conto D4-Pt / D4-Pd



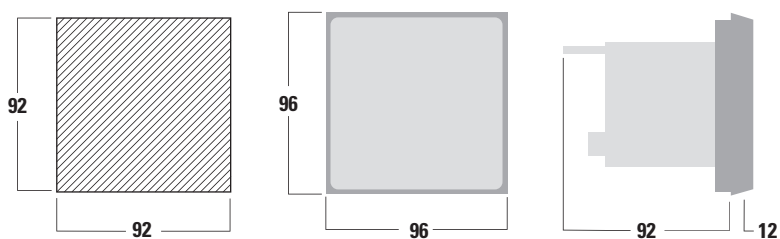
4 Module

Conto 72-Pt



72 x 72 Flush mounting

Conto 96-Pt



96 x 96 Flush mounting